

External Serrated Tooth Lock Washer

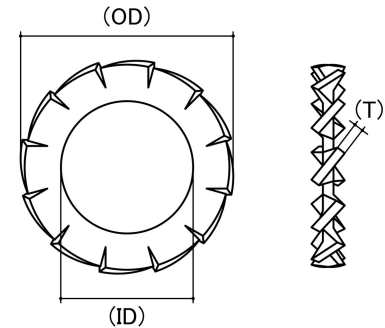
Material: Stainless Steel

Class Grade: A4-70 G316

Corrosion Protection Level: Ultimate

Standard: DIN 6798 Type A

System Of Measurement: Metric



*CAD drawings shown for graphic representation only.**

| Industry Size | Inside Dimension (ID) (mm) | | Outside Dimension (OD) (mm) | Thickness (T) (mm) | Approx Number Of Teeth | sku (qfind) |
|----------------|-------------------------------|-------|--------------------------------|-----------------------|------------------------|----------------|
| | Min | Max | Nom | Nom | Nom | |
| M3 x 6 x 0.4 | 3.20 | 3.38 | 6.00 | 0.40 | 9 | 71LXSS3M |
| M4 x 8 x 0.5 | 4.30 | 4.48 | 8.00 | 0.50 | 10 | 71LXSS4M |
| M5 x 10 x 0.6 | 5.30 | 5.48 | 10.00 | 0.60 | 11 | 71LXSS5M |
| M6 x 11 x 0.7 | 6.40 | 6.62 | 11.00 | 0.70 | 12 | 71LXSS6M |
| M8 x 15 x 0.8 | 8.40 | 8.62 | 15.00 | 0.80 | 14 | 71LXSS8M |
| M10 x 18 x 0.9 | 10.20 | 10.75 | 18.00 | 0.90 | 16 | 71LXSS10M |
| M12 x 20.5 x 1 | 13.00 | 13.27 | 20.50 | 1.00 | 16 | 71LXSSM12M |
| M16 x 26 x 1.2 | 17.00 | 17.60 | 26.00 | 1.20 | 12 | 71LXSS16M |

Disclaimer:

Dimensional data and technical information was obtained from publically available sources and not acquired through standard agencies. It has been completed and compiled for reference purposes only; where discrepancies are found they are subject to change without notice. Bolt & Nut Australia makes no warranties or representations regarding the accuracy and validity of the compiled information and data. Contact the relevant standard authorities for accurate and detailed information.

* CAD drawings may not reflect diameter, thread length or overall length.

© Bolt & Nut Australia Pty Ltd. All rights reserved.

Version: 18 Mar 2024